

# Product data sheet

Specifications

SQUARE D



## Surge protection device, HEPD, 50kA, 120/240 V, 1 phase, 3 wire, SPD type 1

HEPD50

Product availability : Stock - Normally stocked in distribution facility

**Price\* : 108.00 USD**

### Main

Product	Surge protection device
Range	Square D
Device Short Name	HEPD

### Complementary

Voltage Rating	120/240 V AC
MCOV	150 V
SCCR	25 kA
Surge Current	50 kA per phase
Voltage Protection Rating	600 V L-N 600 V L - G 1000 V L - L 900 V N - G
Nominal Discharge Current	10 kA
Rated Current	10 kA
Number of Phases	1 phase
Wiring Configuration	3-wire (isolated ground)
Local Signalling	1 LED green normal operation
Product destination	Load center
Height	3.23 in (82.04 mm)
Width	3.72 in (94.49 mm)
Depth	2.10 in (53.34 mm)

### Environment

Ambient Operating	-31...149 °F (-35...65 °C)
Enclosure Rating	NEMA 4X
Standards	UL 1449 CUL UL 1449:ed. 4: type II

### Ordering and shipping details

Category	08461-SURGE PROTECTION RESI
----------	-----------------------------

\* Price is "List Price" and may be subject to a trade discount – check with your local distributor or retailer for actual price.

Discount Schedule	DE1B
GTIN	785901006626
Returnability	Yes
Country of origin	MX

## Packing Units

Unit Type of Package 1	PCE
Number of Units in Package 1	1
Package 1 Height	3.50 in (8.89 cm)
Package 1 Width	6.00 in (15.24 cm)
Package 1 Length	8.50 in (21.59 cm)
Package 1 Weight	22.72 oz (644.101 g)
Unit Type of Package 2	CAR
Number of Units in Package 2	3
Package 2 Height	8.70 in (22.098 cm)
Package 2 Width	6.70 in (17.018 cm)
Package 2 Length	11.10 in (28.194 cm)
Package 2 Weight	4.76 lb(US) (2.159 kg)

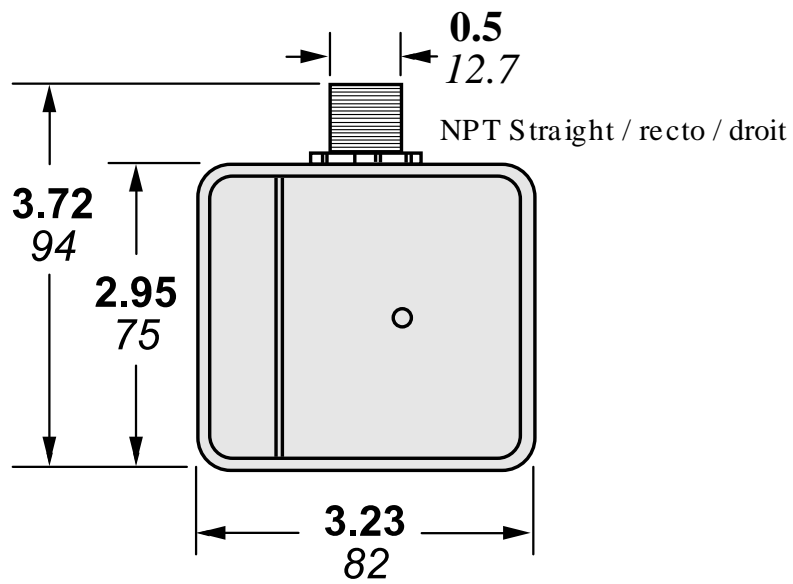
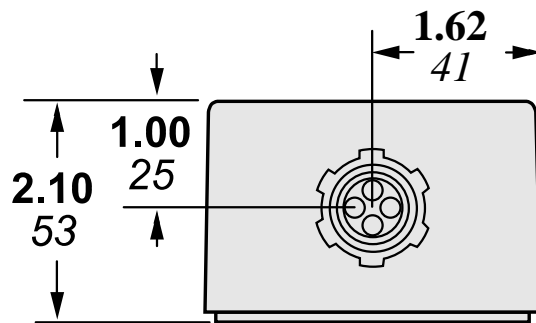
## Offer Sustainability

California proposition 65	WARNING: This product can expose you to chemicals including: Lead and lead compounds, which is known to the State of California to cause cancer and birth defects or other reproductive harm. For more information go to <a href="http://www.P65Warnings.ca.gov">www.P65Warnings.ca.gov</a>
REACH Regulation	<a href="#">REACH Declaration</a>
EU RoHS Directive	Compliant <a href="#">EU RoHS Declaration</a>
Mercury free	Yes
China RoHS Regulation	<a href="#">China RoHS declaration</a> Product out of China RoHS scope. Substance declaration for your information.
RoHS exemption information	<a href="#">Yes</a>

Dimensions

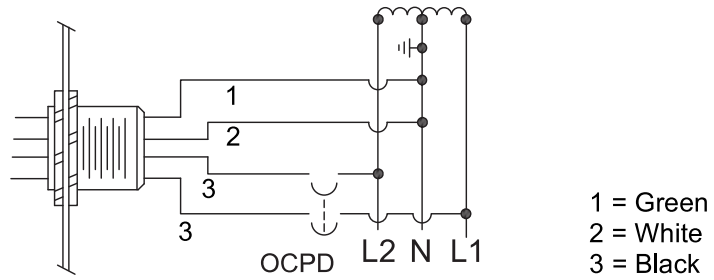
HEPD50 / HEPD80

in.  
mm

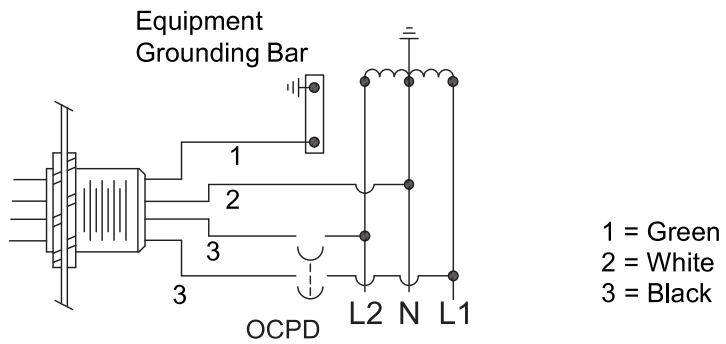


Typical AC Surge Module Wiring Connection Diagrams

Refer to document number NVE82551 for installation instructions.



Service Entrance without Grounding Bar  
120/240 V 1Ø, 3-Wire Circuit  
OCPD = Over Current Protection Device



Sub Panel or Service Entrance with Grounding Bar  
120/240 V 1Ø, 3-Wire Circuit  
OCPD = Over Current Protection Device

Recommended replacement(s)